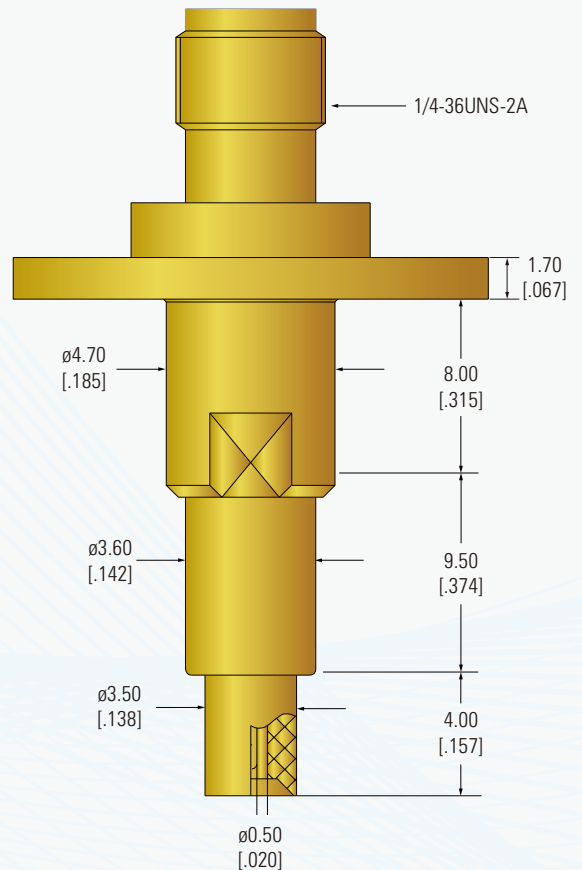
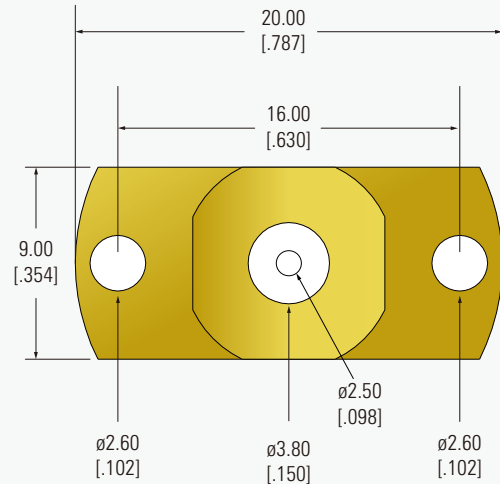


## Part Number:FTOP350PC-6G

### Electrical Specifications

Voltage Rating:	250Vr.m.s.max
Frequency Range:	DC TO 6 Ghz
Nominal Impedance:	50 Ohm
Temperature Rating:	-40 °C to +85 °C
Insulation Resistance:	500Mohm min.
V.S.W.R:	1.25max(DC~2.5GHz) 1.30max(2~6GHz)
Insertion Loss:	0.50dB
Withstanding Voltage:	AC300V +/-20V
Installation Hole Size:	7.00mm[.276]
Max Stroke:	3.00mm[.118]
Durability:	20000 cycles



Probe mm.[inch]

### Applications

Connector Test  
 MM8430-2600/2600B  
 MM8130-2610B  
 MM8030-2600B